

## Material Handling Machine



**173 HP**



**64,250 lbs. (M)**

**75,500 lbs. (R-HD)**



# 825<sub>M/R-HD</sub> "D"



Ideal maintenance access from ground level.

**SENNEBOGEN Hydroclean**  
- This system, using a 2 micron filter, keeps the hydraulic circuit free from water and contamination. It also extends the life of the hydraulic components and reduces machine maintenance and operating costs.

Cooling system with water radiator, turbo intercooler and hydraulic oil cooler side by side.

## Innovative Material Handling



Hydraulic driven fan with flow optimized fan blades, thermostatically controlled, reversible to keep the coolers free of debris.



# SENEBOGEN

Leading Through Innovation



Easy and safe access to the uppercarriage.



Uppercarriage designed specifically for heavy lifting with continuous bearing plates from boom to counterweight.



Excellent access to the batteries.



Access from the ground to hydraulic components, air filter, diesel tank, central lubrication, electric panel and battery disconnect switch.

## Innovative Material Handling



Hydraulic valves mounted all together for easy maintenance.  
Test ports in a centralized location for easy trouble shooting of the hydraulic system.



Improved visibility with the standard hydraulic elevating cab.

Sliding cab door - the ideal access, safe and comfortable.

Two hydraulic lifting cylinders enhance cab stability and safety.

Cooling efficiency is improved using wider fin spacing and coarse particle separation placed in front of radiator and coolers.

Centralized undercarriage greasing for ease of maintenance.

Increased stability with heavy duty undercarriage.

# SENEBOGEN

Leading Through Innovation



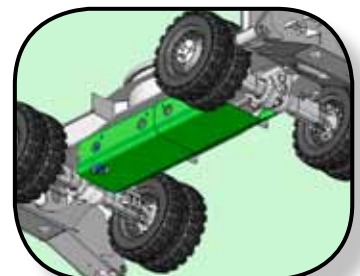
Fuses and relays are positioned together for ease of maintenance. The battery disconnect switch and main fuses are easily accessible from the ground level.



Redesigned cab including a catwalk and fixed handrails, has enhanced cab access and cab safety.



Centralized undercarriage greasing.  
\*only on M models



Undercarriage protection  
\*only on M models



Hydraulic elevating cab with tinted safety glass.  
Sliding cab door makes access to the cab very safe and comfortable.



Larger cab with improved visibility and comfort.  
Adjustable air vents.



Tiltable steering column, air suspended seat with lumbar support, fully adjustable to the joysticks as well as to the foot controls, seat heater.

\*on R-HD, 2 steering levers

## Safety and Comfort first



Standard catwalk with fixed railings guarantees safe and easy access to cab and windshield.



Fully automatic climate control - heating and air conditioning with temperature presetting, fresh / recirculated air flow modes, air filter and 8 adjustable air vents.



**SENNEBOGEN** diagnostic system - automatic monitoring, warning and storage of all essential operating conditions.

## Standard Technical Specifications

### Engine

Model:	Cummins QSB6.7
Type:	6 cylinder, inline
Cooling:	Water cooled
Rating:	173 HP (129 kW) at 2,200 rpm
Fuel Tank:	129 gal
Air Filter:	Dual stage with prefilter

### Electrical System

Operating Voltage:	24 V
Batteries:	2 x 12 V, 110 Ah
Light Package:	2 x uppercarriage 2 x cab (front)

### Hydraulic System

Flow Rate:	110 gpm
Working Pressure:	4,930 psi
Hydraulic Tank:	82 gal
Oil Filtration:	Full flow return filters plus 2 micron <b>SENNEBOGEN</b> Hydroclean

### Swing System

Drive:	Axial piston motor, planetary gear, multidisc brake
Swing Speed:	0-8 rpm
Swing Bearing:	Sealed ball bearing with internal teeth

### Rubber Tired Undercarriage (M)

Drive:	Variable displacement hydraulic motor, dual stage power shift transmission, all wheel drive
Steering:	Steering wheel
Travel Speed:	1st 0 - 4.4 mph 2nd 0 - 12.5 mph
Axes:	Front axle: oscillating with hydraulic lock Rear axle: fixed
Brakes:	Multidisc in both axles
Tires:	8 x 10.00-20 solid rubber
Safety:	Travel alarm

### Track Undercarriage (R-HD)

System:	Fixed wide gauge undercarriage
Drive:	Independent driven by an axial piston motor through a compact-planetary
Steering:	Foot pedals / levers
Travel Speed:	1st 0 - 2.2 mph
Crawler:	B60 maintenance free crawler
Tracks:	23.6" triple grouser track shoes (canted)
Safety:	Travel alarm

### Cab System

Standard:	D270 maXCab Hydraulic elevating 8'10" with two cylinders
-----------	----------------------------------------------------------------

### Magnet System

Drive:	Belt driven
Rating:	15 kW
Controller:	Hubbell
Generator:	Baldor

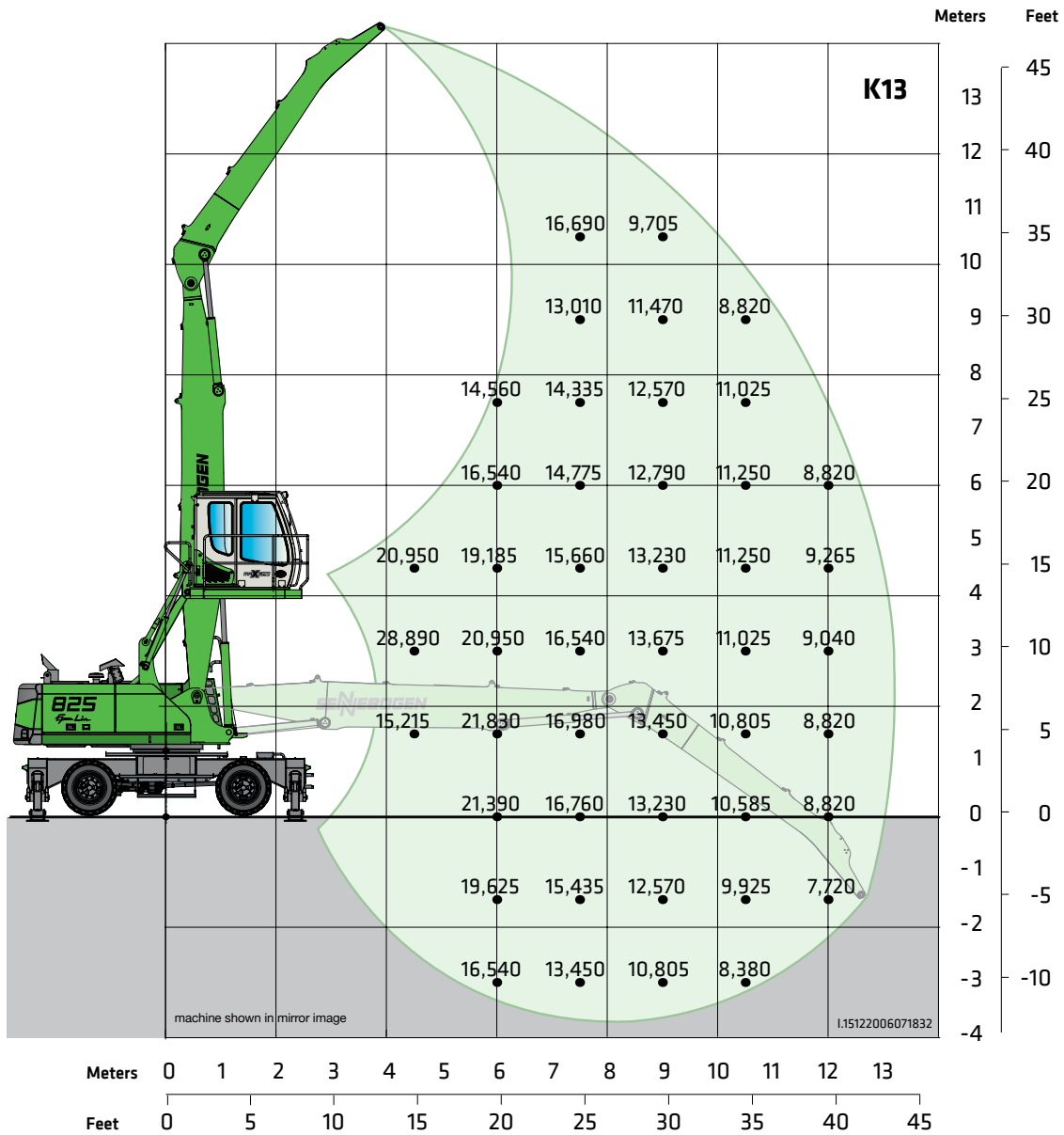
### Optional Equipment

see page 14

### Weight

825 M "D"	64,250 lbs
825 R-HD "D"	75,500 lbs

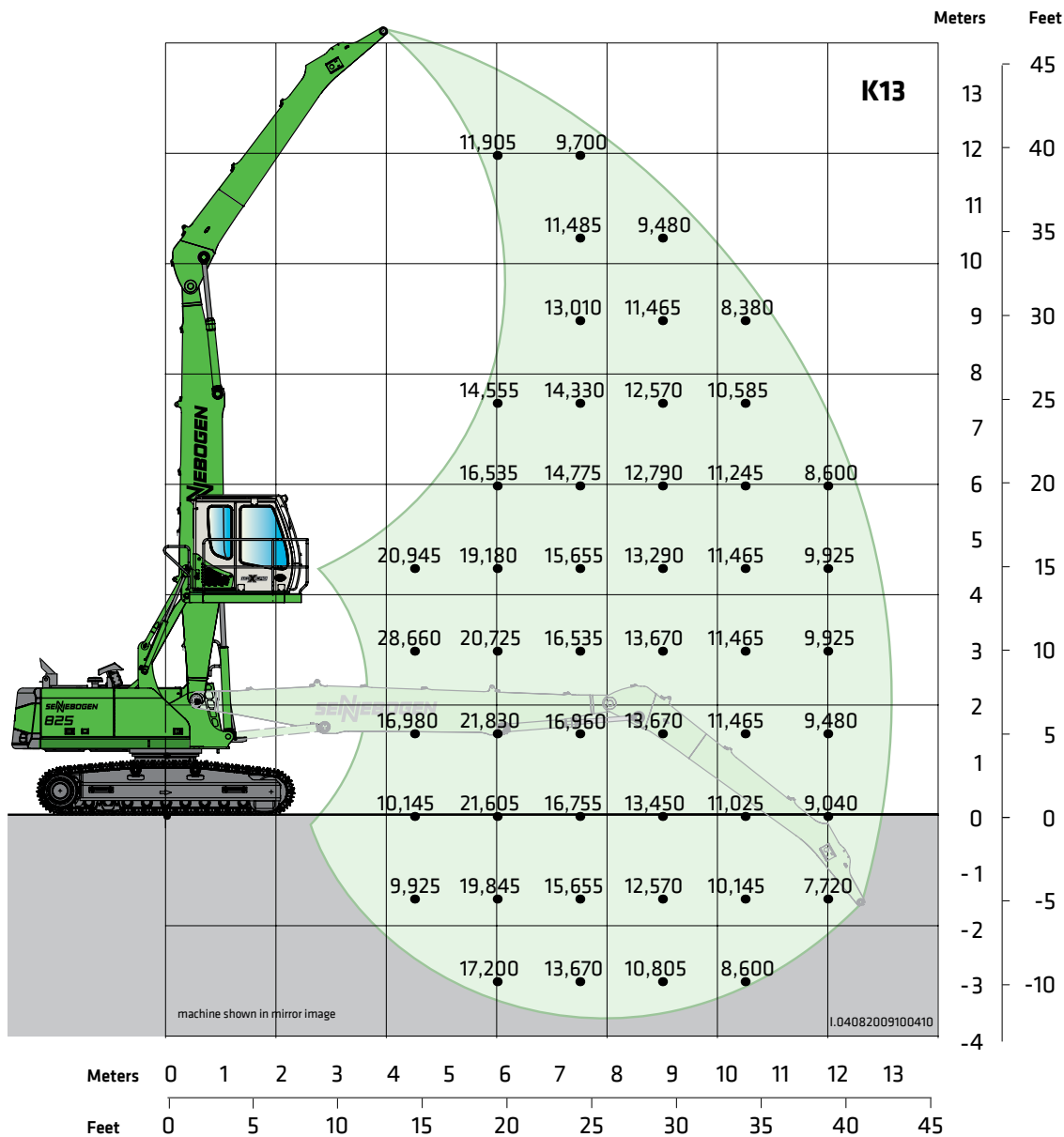
# 825 M/R-HD



Working Equipment		Operator's Cab	Undercarriage
K13	43'4" reach	D270 maXCab	MP26 with 4-point outriggers
boom	24'7"	hydraulic elevating	Tires 8 x 10.00-20
stick	19'	eye level 18'1"	

Lift capacities are stated in pounds. Indicated loads are based on ISO 10567 and do not exceed 75% of tipping and 87% of hydraulic capacity. Machine on firm, level supporting surface. Loads valid for 360° with machine supported on outriggers. Lifting capacities do not include working attachments such as scrap grapples, magnets, etc. Their weights must be deducted from the numbers indicated in the lifting charts.





### Working Equipment

K13 43'4" reach  
boom 24'7"  
stick 19'

### Operator's Cab

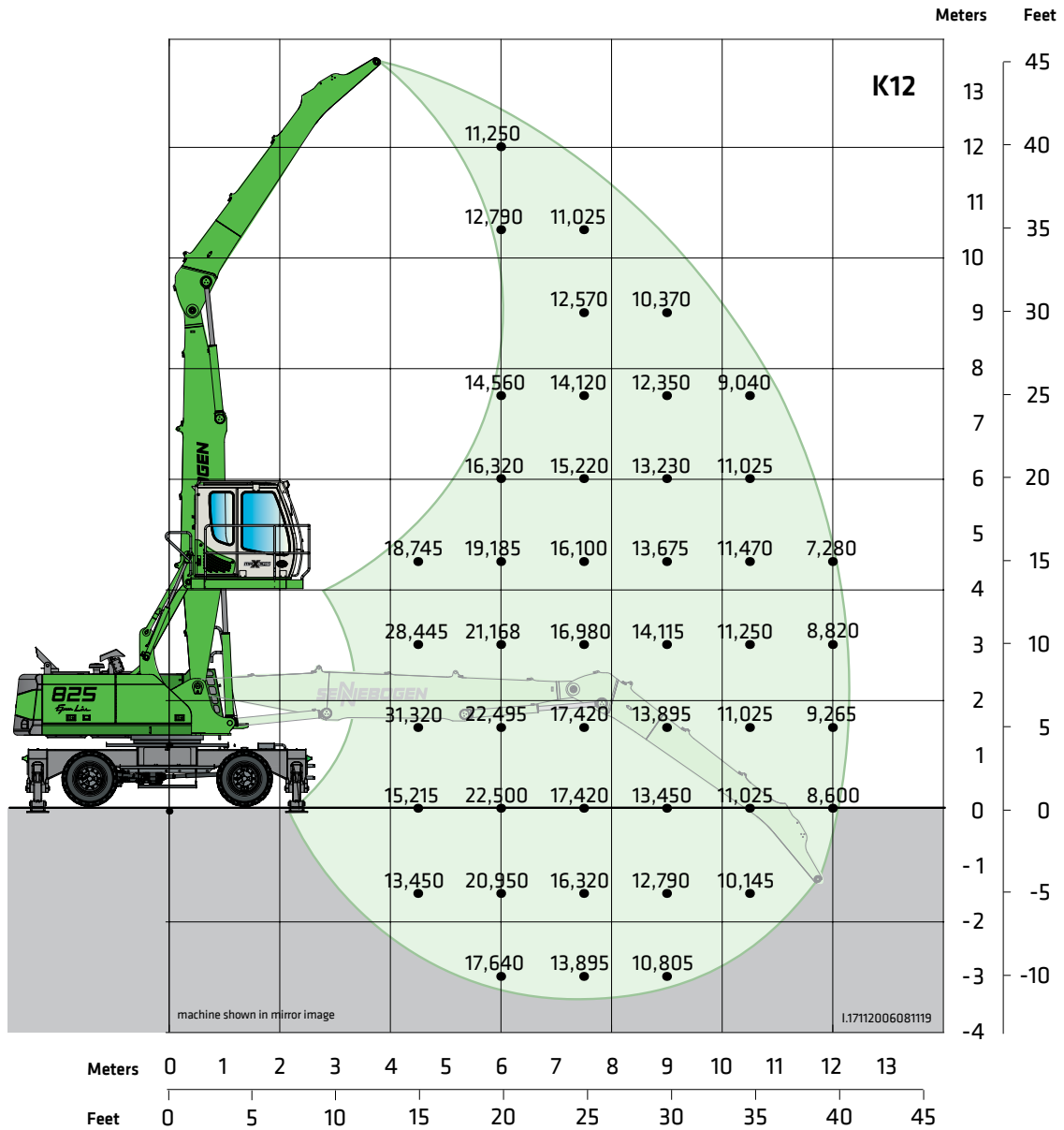
D270 maXCab  
hydraulic elevating  
eye level 17'10"

### Undercarriage

R35/340  
Tracks 23.6" / B60

Lift capacities are stated in pounds. Indicated loads are based on ISO 10567 and do not exceed 75% of tipping and 87% of hydraulic capacity. Machine on firm, level supporting surface. Loads valid for 360° with machine supported on outriggers. Lifting capacities do not include working attachments such as scrap grapples, magnets, etc. Their weights must be deducted from the numbers indicated in the lifting charts.

# 825 M/R-HD



### Working Equipment

K12 41' reach  
boom 22'4"  
stick 18'4"

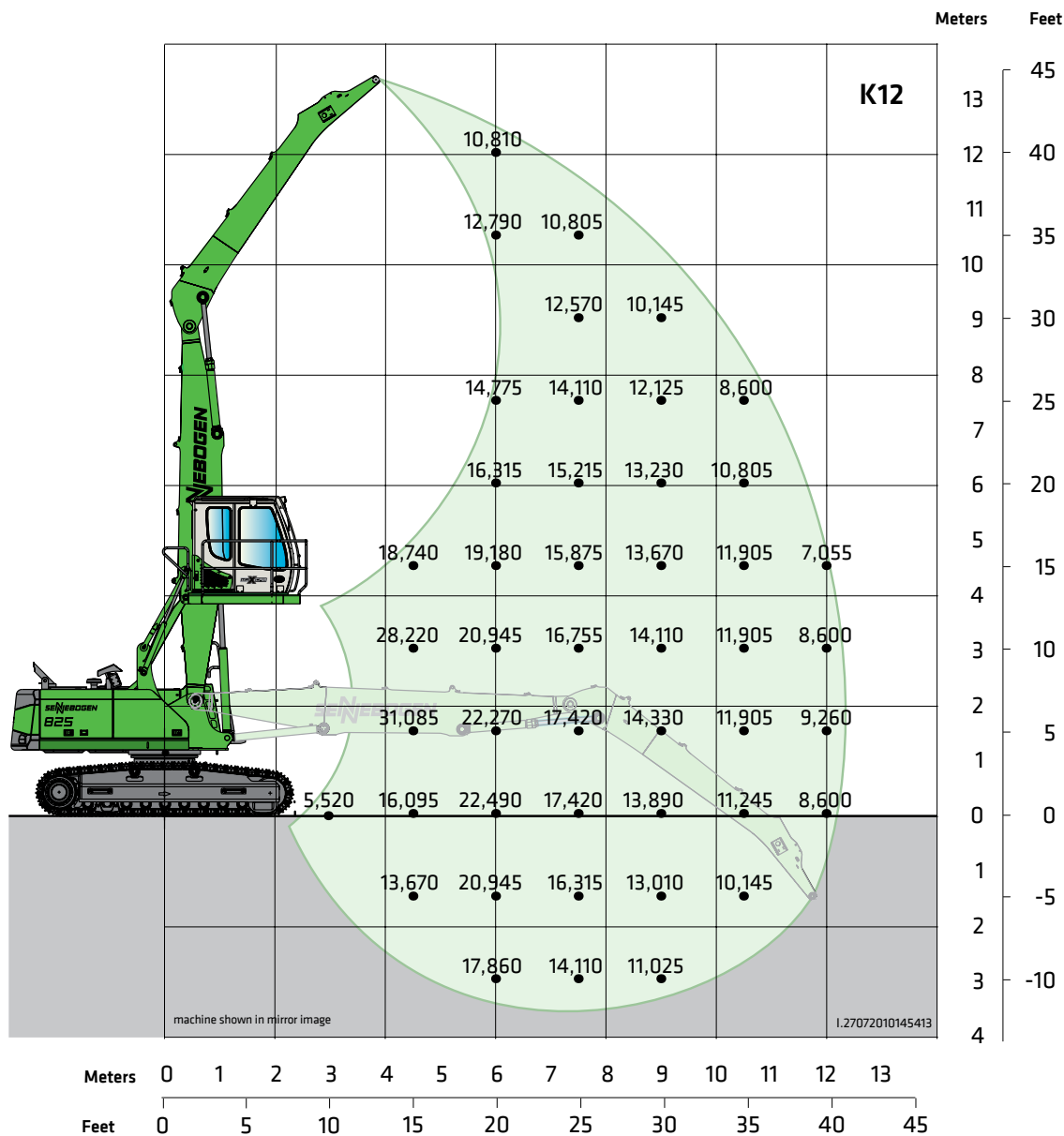
### Operator's Cab

D270 maXCab  
8'10" hydraulic elevating  
eye level 18'1"

### Undercarriage

MP26 with 4-point  
outriggers  
Tires 8 x 10.00-20

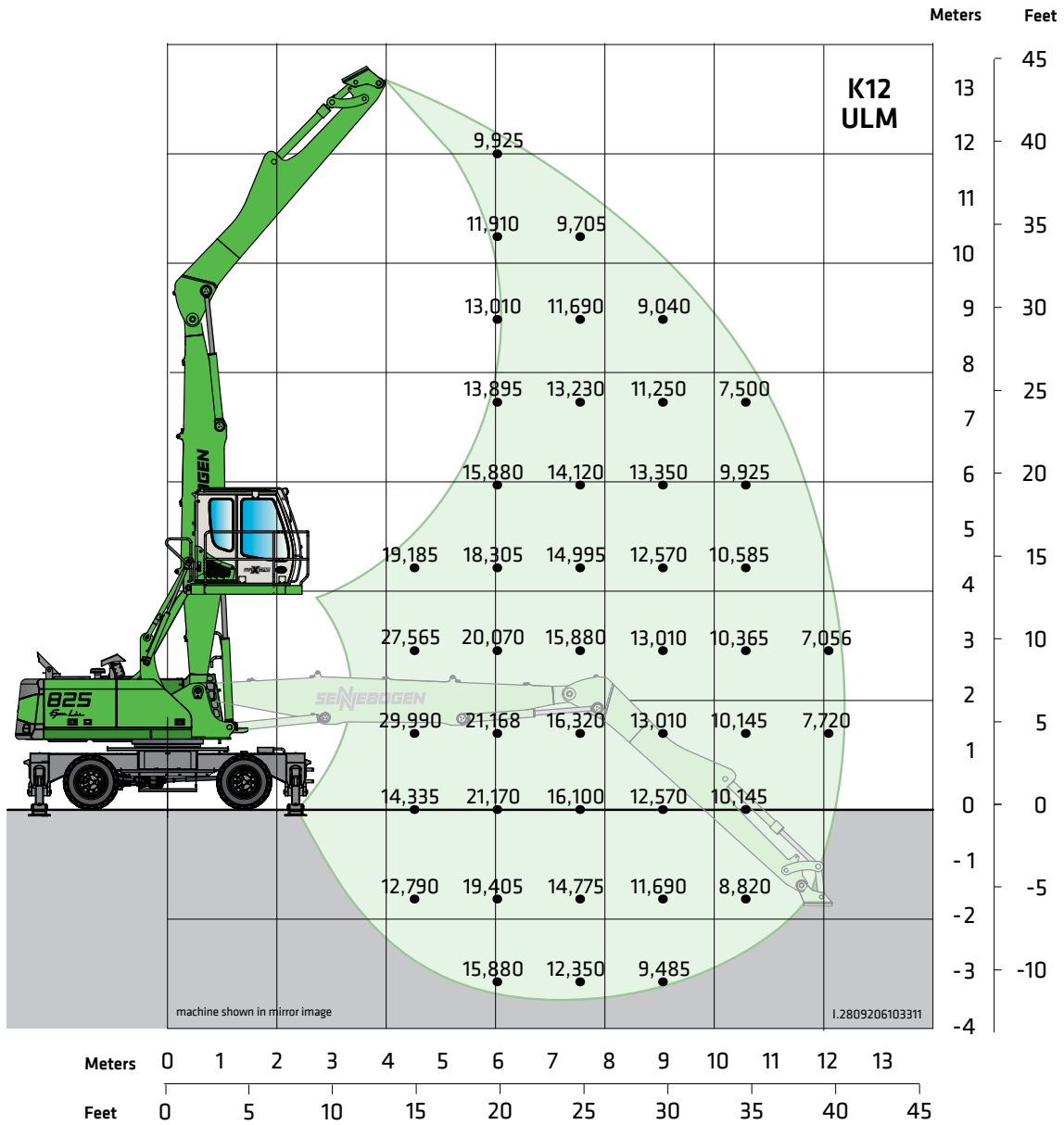
Lift capacities are stated in pounds. Indicated loads are based on ISO 10567 and do not exceed 75% of tipping and 87% of hydraulic capacity. Machine on firm, level supporting surface. Loads valid for 360° with machine supported on outriggers. Lifting capacities do not include working attachments such as scrap grapples, magnets, etc. Their weights must be deducted from the numbers indicated in the lifting charts.



Working Equipment		Operator's Cab	Undercarriage
K12	41' reach	D270 maXCab	R35/340
boom	22'4"	8'10" hydraulic elevating	Tracks 23.6"/B60
stick	18'4"	eye level 17'10"	

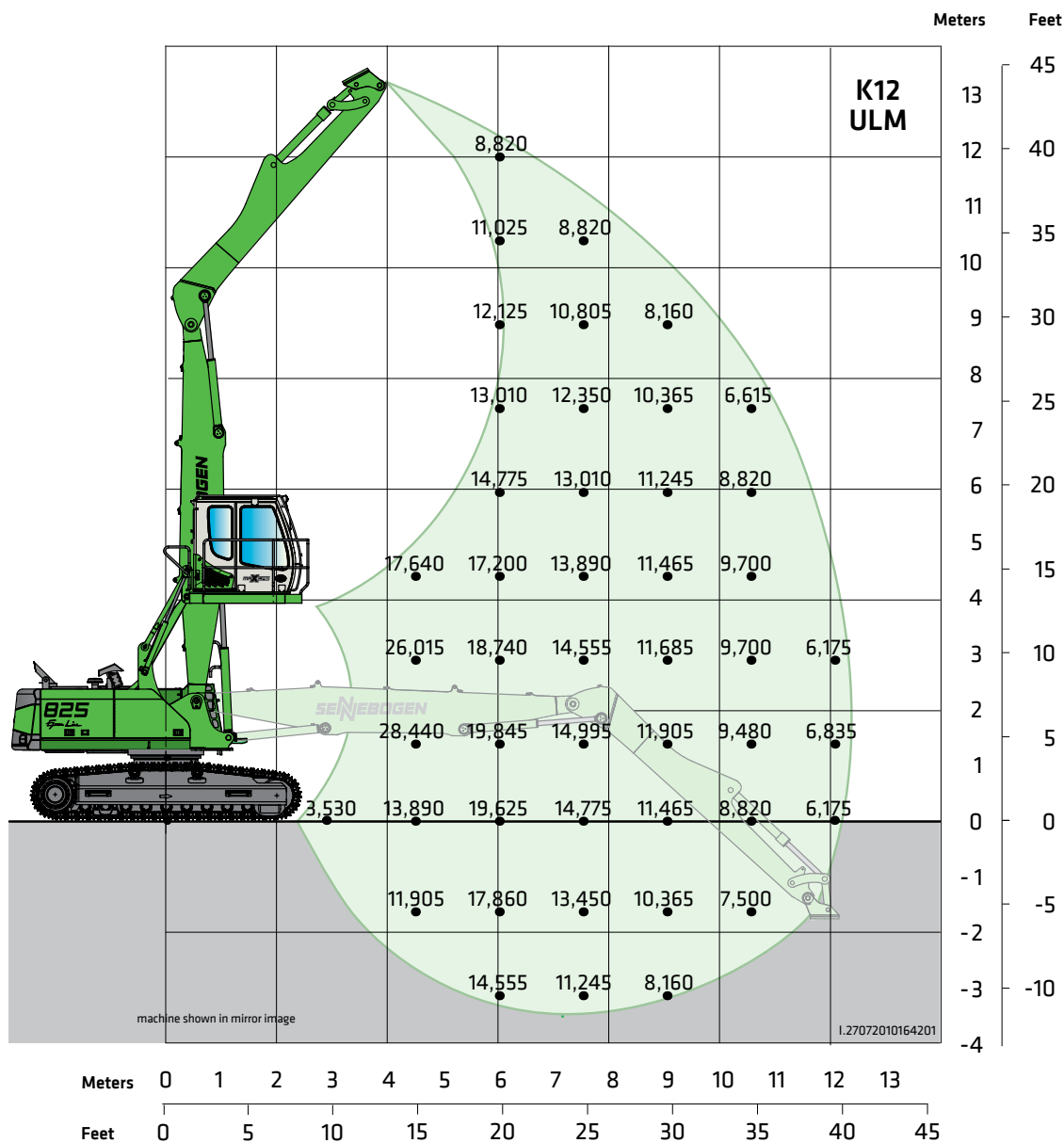
Lift capacities are stated in pounds. Indicated loads are based on ISO 10567 and do not exceed 75% of tipping and 87% of hydraulic capacity. Machine on firm, level supporting surface. Loads valid for 360° with machine supported on outriggers. Lifting capacities do not include working attachments such as scrap grapples, magnets, etc. Their weights must be deducted from the numbers indicated in the lifting charts.

# 825 M/R-HD



Working Equipment		Operator's Cab	Undercarriage
K12 ULM boom	41' reach 22'4"	D270 maXCab 8'10" hydraulic elevating eye level 18'1"	MP26 with 4-point outriggers
straight stick	18'1" with reversing mechanism		Tires 8 x 10.00-20

Lift capacities are stated in pounds. Indicated loads are based on ISO 10567 and do not exceed 75% of tipping and 87% of hydraulic capacity. Machine on firm, level supporting surface. Loads valid for 360° with machine supported on outriggers. Lifting capacities do not include working attachments such as scrap grapples, magnets, etc. Their weights must be deducted from the numbers indicated in the lifting charts.



### Working Equipment

K12 ULM	41' reach
Boom	22'4"
Stick	18'1" with reversing mechanism

### Operator's Cab

D270 maXCab
8'10" hydraulic elevating eye level 17'10"

### Undercarriage

R35/340
Tracks 23.6" / B60

Lift capacities are stated in pounds. Indicated loads are based on ISO 10567 and do not exceed 75% of tipping and 87% of hydraulic capacity. Machine on firm, level supporting surface. Loads valid for 360° with machine supported on outriggers. Lifting capacities do not include working attachments such as scrap grapples, magnets, etc. Their weights must be deducted from the numbers indicated in the lifting charts.

## Standard (□) / Optional (○) Equipment

### Engine

Water separator in fuel line.....	□
Automatic idle control.....	□
Eco mode.....	□
Pre-Cleaner for air filter.....	□
Auto reversible radiator/cooler fan.....	□
Double element air filter.....	□
Muffler.....	□
Visual fuel tank check.....	□
Water separator w / heater element.....	○
Engine block pre-heater (electric).....	○
Electric refueling pump.....	○

### Hydraulic

Pilot pressure controlled main variable displacement hydraulic pump.....	□
Thermostatically controlled cooling system.....	□
Hydraulic tank shut off valve.....	□
Centralized hydraulic test ports.....	□
2 micron HydroClean filtration.....	□
Load sensing hydraulic system.....	□
Optimized Hydraulic pump regulation (GLR).....	□
Visual hydraulic tank check.....	□
Hydraulic tank pre-heater (electric).....	○
Biodegradable hydraulic oil.....	○
Hydraulic circuit for slasher.....	○
Hydraulic circuit for scrap shear.....	○
Additional hydraulic circuits.....	○

### Upper Carriage

Anti slipmats on walking area.....	□
Lockable side doors.....	□
Handrails on top.....	□
Mirror right side.....	□
Battery disconnect switch.....	□
Centralized fuse box.....	□
Fire extinguisher.....	□
Turning signals (M).....	□
Additional light package.....	○
Customer colors.....	○

### Operators Cab (maXCab)

Multi adjustable, air suspended operator seat.....	□
Seat heater.....	□
Automatic climate control (heater / AC).....	□
Air outlets w / defroster.....	□
Storage area for lunch box.....	□
Fire extinguisher.....	□
Tinted windows w / safety glass.....	□
Door window as sliding window.....	□
AM / FM Radio w / CD player & speakers.....	□
Removable floor mat.....	□
SDS diagnostic display.....	□
Tilt out front window.....	□
Halogen light package on roof.....	□
Mechanical hour meter.....	□
Sliding door.....	□
Catwalk w / handrail.....	□
12 V / 24 V power outlet.....	□
Windshield wiper and washers.....	□
Tilt able steering column (M).....	□
Emergency exit hammer.....	□
Safety lever.....	□
Sun shades.....	□
Interior lighting.....	□
Rain cover over front window.....	□
Outside mirror.....	□

Optical and acoustic warning system.....	□
Positive filtered ventilation (pressurized cab).....	□
Hydraulic elevating cab 8'10".....	□
SDS diagnostic system.....	□
Safety check valve cab elevating cylinder.....	□
Foot rest.....	□
Windshield protection guard.....	○
Skylight protection guard.....	○
Skylight FOPS guard.....	○
Additional light package.....	○
Bullet proof windshield.....	○
Bullet proof skylight.....	○
Polycarbonate side windows.....	○
Joystick steering instead of steering column (M).....	○
Joystick / steering column combination (M).....	○
Fixed elevating cab.....	○
Hydraulic up and out cab D300/260.....	○
Operators cab w / floor window.....	○

### Under Carriage

Drive train protection guards (M).....	□
Triple grouser track shoes, canted (R-HD).....	□
Maintenance free crawlers (R-HD) B60.....	□
Heavy duty axles (M).....	□
Dual stage power shift transmission (M).....	□
Travel alarm.....	□
Centralized lubrication points (M).....	□
Tool and storage compartments, lockable (M).....	□
Oscillating front axle (M).....	□
2 circuit servo brake system (M).....	□
Protection guard outrigger cylinders (M).....	□
Safety check valves outrigger cylinder (M).....	□
Bended outriggers (M).....	○
Large outrigger pads to decrease ground pressure (M).....	○
Forged flat track shoes (R-HD).....	○
Pneumatic Tires (M) 10.00-20/12.00-20.....	○
Towing hitch package (M).....	○
Individual outrigger control (M).....	○

### Working Equipment

Purpose built material handling boom.....	□
Purpose built material handling stick.....	□
Grapple open / close / rotate circuit w / ball valves.....	□
Boom position I.....	□
Safety check valves boom cylinders.....	□
Safety check valves stick cylinders.....	□
Cylinder end position dumping.....	□
Boom hoist limitation.....	□
Different reach packages.....	○
Additional light package boom/stick.....	○
Reversing mechanism stick (ULM).....	○

### Magnet System

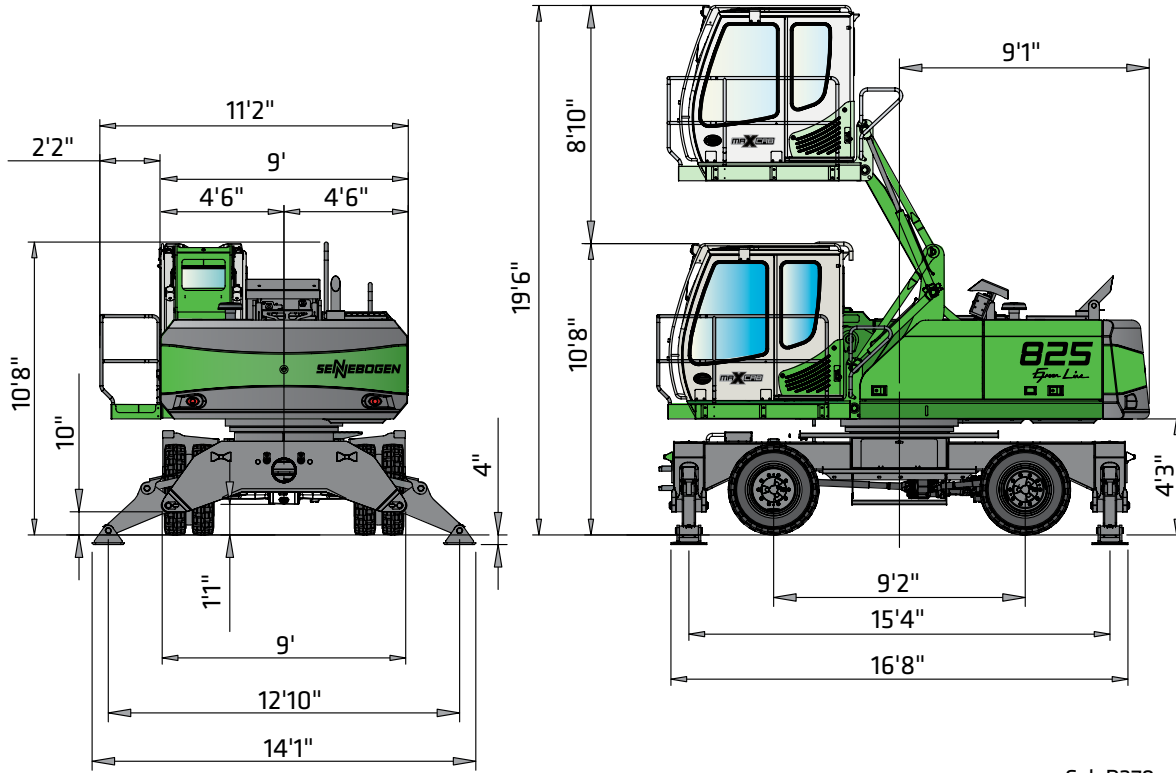
Belt driven generator.....	□
Magnet controller.....	□
Magnet suspension.....	○

### Attachments

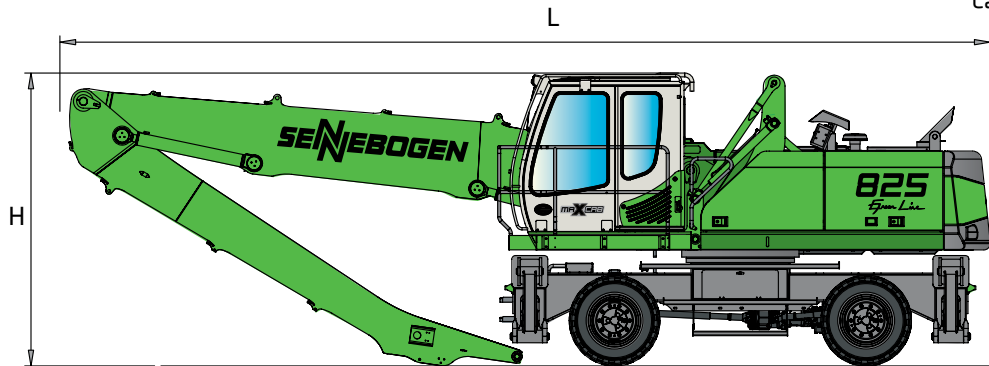
Orange peel grapple.....	○
Clamshell.....	○
Magnet.....	○
Log grapple.....	○
Scrap shear.....	○
Hook block.....	○
Power attachment.....	○
Pipe handler.....	○

## Machine Dimensions 825 M "D"

Undercarriage MP26



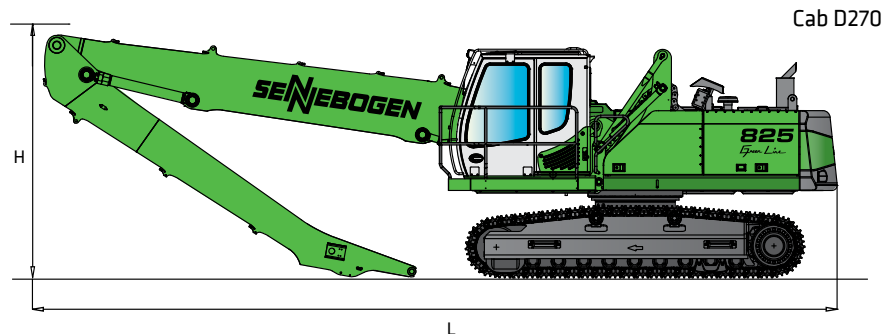
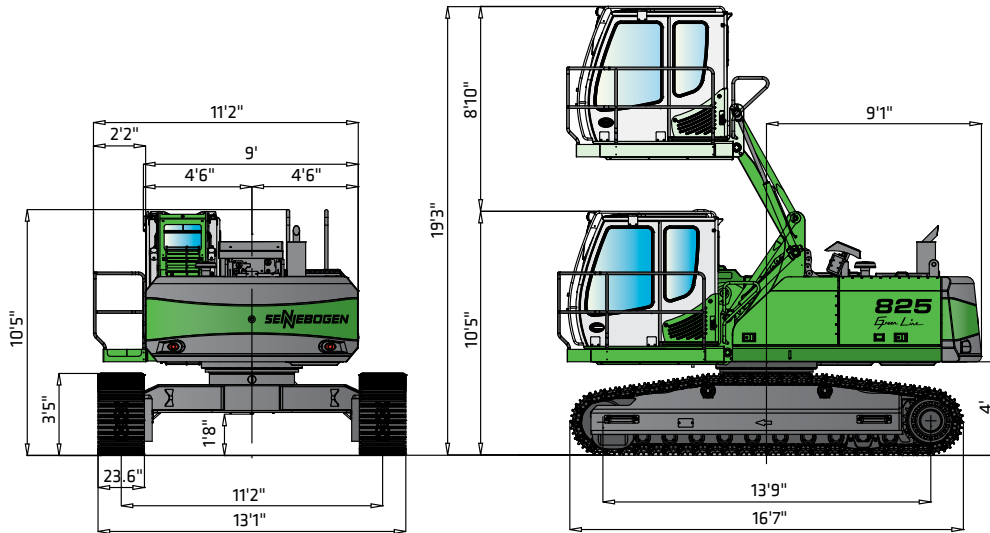
Cab D270



	Boom	Stick	Transport length (L)	Transport height (H)
K13	24'7"	19'	36'1"	10'10"
K12	22'4"	18'4"	34'1"	10'8"
K12 ULM	22'4"	18'1"	34'1"	10'10"

## Machine Dimensions 825 R-HD "D"

Undercarriage R35/340



	Boom	Stick	Transport length (L)	Transport height (H)
K13	24'7"	19'	36'4"	11'5"
K12	22'4"	18'4"	34'1"	11'
K12 ULM	27'3"	18'1"	34'4"	11'2"

### SENNEBOGEN LLC

1957 Sennebogen Trail  
 Stanley, NC 28164  
 USA  
 Phone: +1 (704) 347-4910  
 Fax: +1 (704) 347-8894  
 E-Mail: sales@sennebogenllc.com

[www.sennebogen-na.com](http://www.sennebogen-na.com)